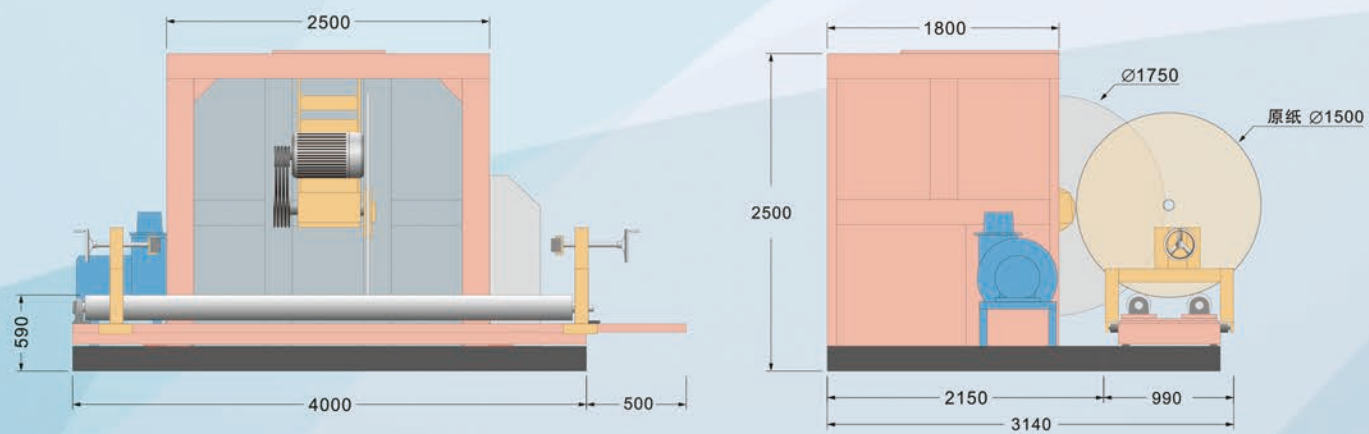




● YYS-I Paper cutting machine  
YYS-I型切纸机

Dimensions chart / 尺寸图



The parameters for cutting machine / 切纸机参数

| 序号/Item | 品名/Name                    | 规格/Size   |
|---------|----------------------------|---|
| 1       | Paper Width / 切纸门幅         | 3公分-4米之间任意尺寸<br>Between 3cm and 4m  |
| 2       | Paper DIA / 切纸直径           | 35公分-1.5米之间任意尺寸<br>Between 35cm to 1.5m   |
| 3       | Time consuming / 切纸时间      | 1.25米直径牛卡140克切开需5分钟，克重越低切割越快，正常每小时切割6卷，上下纸及调节尺寸时间包含在内。<br>It'll take 5min to cut 1.25m DIA and 140g Kraft card board, time consuming conversely to weight. 6 volumes can be cut   |
| 4       | Voltage / 电压               | 200-440V三相  |
| 5       | Frequency / 频率             | 50-60HZ   |
| 6       | Power / 功率                 | 45KW  |
| 7       | Main Motor's power / 主电机功率 | 30KW  |
| 8       | Weight / 重量                | 4.95T   |
| 9       | Cutter blade speed / 刀片转速  | 740R/min  |
| 10      | How to Place / 机器摆放        | 水平地面平放，可任意调整位置。<br>Plat on level ground, willfully adjust allowed   |
| 11      | Blade life time / 刀片使用寿命   | 切割700刀以后，需专用工具打磨一次再使用，整刀可打磨六次左右需返回刀具厂家换锯齿，本公司会提供刀具厂家联络方式及参考价格供客户参考。<br>The blade should be sharpened by special tool after 700 times cutting. The blade should be return to factory to be replaced after 6 times polished. We provide the reference price of the blade and the contact information of the blade vendor. |
| 12      | Practicability / 实用性       | 本机采用国际钢材，无焊缝，安全牢固，不会变形。电子元件均为知名品牌，经久耐用，性能稳定。<br>The machine with GB steel, fulling welding and security, not be deformed. All the components with famous brand, which is durable, stable performance.   |

Special models can be customized according to paper roll specification  
特殊机型可根据原纸大小订购！